

Dali converter, 0-10V

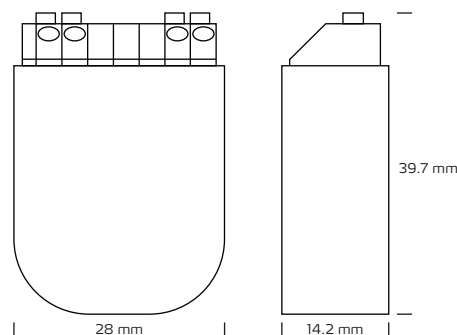
Technical data

Supply	Via DALI signal line
Consumption	<4.1 mA
Connecting wire cross section	0.5-1.5 mm ²
Exterior dimensions	L: 39.7 mm, W: 28 mm, H: 14.2 mm
IP-class	IP20
Material	Plastic
Warranty	2 years
Approvals	CE



Product information

- Module converting DALI dimming commands into analogue 0-10V signal (DALI DT5)
- The module is especially designed to operate with drivers with 0-10V control input
- Factory default are the default DT5 settings: output range 0-10V, logarithmic dimming curve



*The drawing is not drawn to scale

NB: Always use cables of a type approved for permanent installation according to the current legislation. If the cables are in contact with the lamp cover, use cables with an operating temperature of at least 70° C.

Item no.	EAN no.	Type
98412010	5704629000377	Converter, 0-10V