

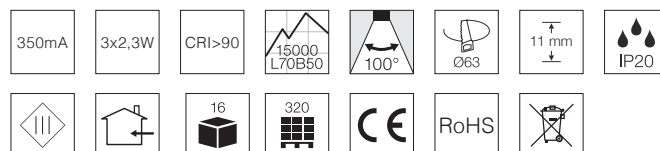


## Technical data

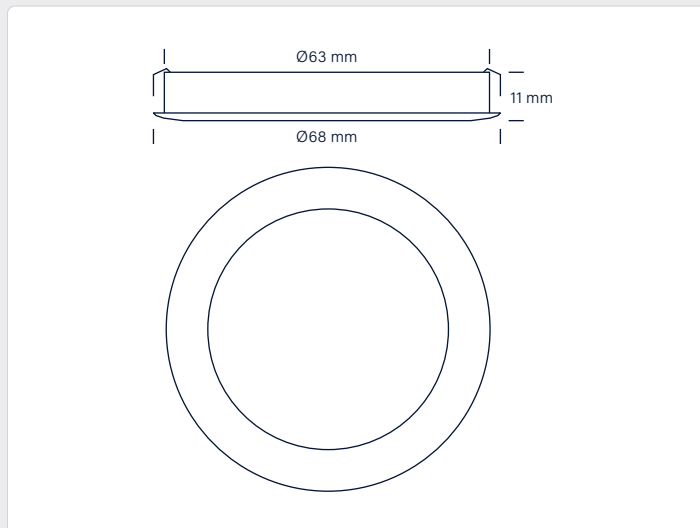
Amperage	350mA
System effect	3 x 2.3W
Light source	LED
Colour rendering	CRI>90
Expected lifespan	15.000 hours L70 B50
Dimmable	No
Flicker free	Yes, according to the latest Ecodesign / ErP directive
SVM <0.4	Yes
PstLM <1	Yes
SDCM	<6
Beam angle	100°
Cut out dimension	Ø63 mm
Installation height	11 mm
Exterior dimensions	Ø68 mm
Dimensions driver	L: 125 mm, W: 41 mm, H: 23 mm
Dimensions distribution box	L: 51 mm, W: 30 mm, H: 16 mm
Operating temperature	-10° / +40°
Possibility of through wiring	No
IP rating	IP20
Insulation class	Class III
Material	Downlight: polycarbonat Mounting ring: aluminium
Environment	Indoors
Warranty	2 years with Nordtronic driver, item no. 98514021
Approvals	CE

## Product information

- Low mounting depth – 11 mm
- High colour rendering index - CRI>90
- Flicker free according to the latest Ecodesign / ErP directive
- Incl. mounting ring
- Incl. driver for up to 6 spots (6 x 2.3W)
- Incl. 2.5 meter cable with plug
- Switch on 230Vac wire



NB: Always use cables of a type approved for permanent installation according to the current legislation. If the cables are in contact with the lamp cover, use cables with an operating temperature of at least 70° C.



## Linea kit | 3 x 2700K | 3 x 160lm

Item no.	EAN no.	Design, colour	Light source
19112012	5704629001022	○ matt white	2W LED, varenr. 19111012
19112022	5704629001039	○ brushed alu	2W LED, varenr. 19111022

## Linea kit | 3 x 3000K | 3 x 166lm

Item no.	EAN no.	Design, colour	Light source
19112013	5704629001046	○ matt white	2W LED, varenr. 19111013
19112023	5704629001053	○ brushed alu	2W LED, varenr. 19111023

